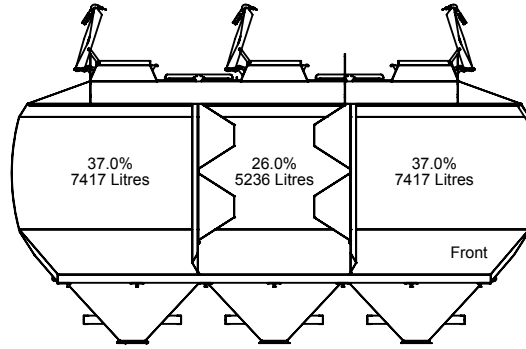
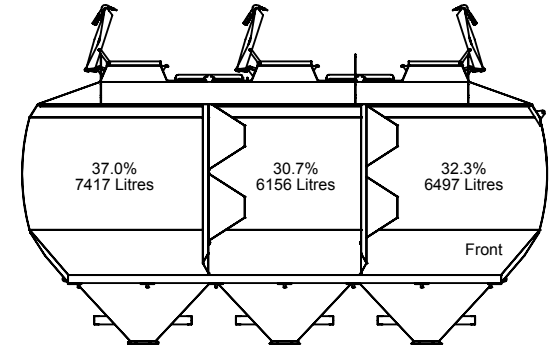


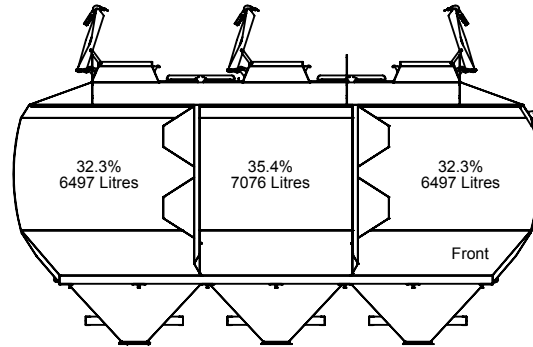
Split 1



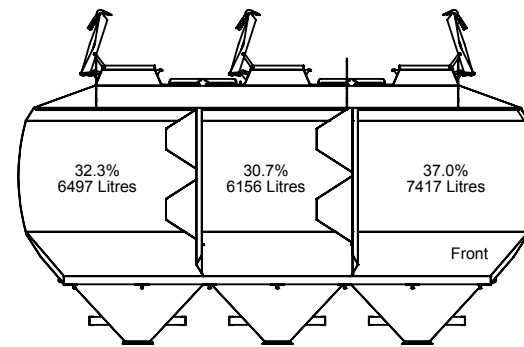
Split 2



Split 3



Split 4



Split 5

20000 Triple Bin

Total Usable Volume Given
a 25 Degree Angle of Repose is:
20070 Litres

Fabrication Note

Finish:

General Tolerances

Linear Dimensions
 X ±1mm (whole numbers)
 X.X ±0.5mm (one decimal place)
 X.XX ±0.25mm (two decimal places)
Angular Dimensions
 All Angles ±2°

This drawing is the property of
Simplicity (Australia) Pty. Ltd.
It must not be used for any
purpose other than that for
which it is supplied.
Reproduction in whole or
part is prohibited without
written authority from
Simplicity (Australia) Pty. Ltd.

DRN: MT
 DATE: 15/12/2009
 APPRD:
 DATE: / /
 SCALE: 1:50



SIMPLICITY (AUSTRALIA) PTY LTD

18 LOUDOUN RD DALBY 4405 PH (07) 4662 2977 FAX (07) 4660 6050

TITLE
**Simplicity Airseeder
 Bin Splits
 20000 Triple Bin Splits**

DRAWING NUMBER
20000 Triple Bin Splits REV 03 SHEET 1 OF 1 **A4**